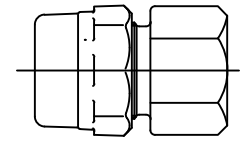


Cambridge Brass  
P.O. Box 249  
140 Orion Place  
Cambridge, Ontario  
Canada N1R 5V1  
Tel: (519) 621-5520  
Fax: (519) 621-8674  
http://www.cambridgebrass.com

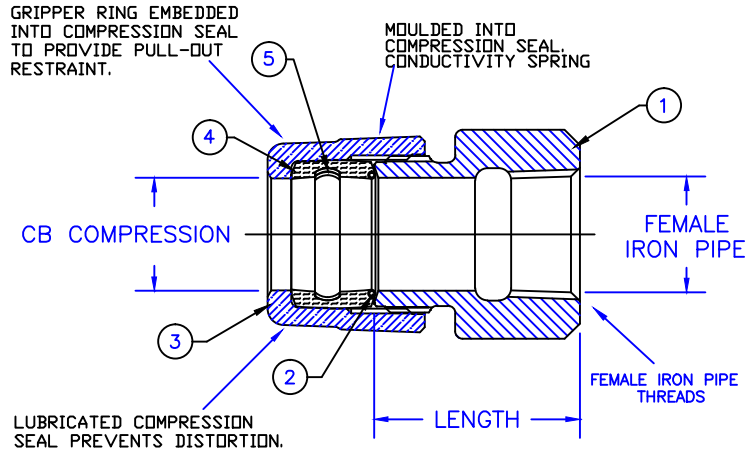


MODEL NO. 117NL

CB COMPRESSION x  
FEMALE IRON PIPE

NO LEAD ADAPTOR

FOR COPPER OR PLASTIC TUBING (CTS) x THREADED PIPE



FEATURES:

- MANUFACTURED IN COMPLIANCE WITH AWWA STANDARD C800 (ASTM B-584, UNS NO C89833).
- CONFORMS TO ANSI/NSF 61-8
- CONFORMS TO ANSI/NSF 372 (COMPLIANT WITH US Safe Drinking Water Act. PL 111-380)
- 300PSI WORKING PRESSURE
- BODY DESIGN PROVIDES LARGE RUGGED WRENCH FLATS FOR PROPER INSTALLATION.

PARTS AND MATERIAL:

1. BODY: CAST BRASS, ALLOY C89833
2. CONDUCTOR SPRING: BRASS
3. COMPRESSION NUT: CAST BRASS, ALLOY C83600
4. COMPRESSION SEAL: EPDM RUBBER
5. GRIPPER: STAINLESS STEEL, ALLOY 304

Cambridge Brass considers the information in this submittal form to be correct at the time of publication. Item and option availability, including specifications, are subject to change without notice.

COUPLING SIZE	CATALOG NO.	CB COMPRESSION	FEMALE IRON PIPE	LENGTH	APPROX. WT. LBS.
1/2" x 1/2"	117NL-H1F1	1/2"	1/2"	2.03"	
1/2" x 3/4"	117NL-H1F3	1/2"	3/4"	2.14"	
5/8" x 1/2"	117NL-H2F1	5/8"	1/2"	2.23"	
5/8" x 3/4"	117NL-H2F3	5/8"	3/4"	1.31"	
3/4" x 1/2"	117NL-H3F1	3/4"	1/2"	1.59"	0.8
3/4"	117NL-H3F3	3/4"	3/4"	1.65"	0.7
3/4" x 1"	117NL-H3F4	3/4"	1"	1.74"	0.9
1" x 3/4"	117NL-H4F3	1"	3/4"	1.84"	1.3
1"	117NL-H4F4	1"	1"	1.84"	1.2
1 1/4" x 1"	117NL-H5F4	1 1/4"	1"	2.04"	
1 1/4"	117NL-H5F5	1 1/4"	1 1/4"	2.48"	
1 1/2"	117NL-H6F4	1 1/2"	1"	2.21"	
1 1/2"	117NL-H6F6	1 1/2"	1 1/2"	2.77"	2.3
2"	117NL-H7F7	2"	2"	2.70"	3.1

Submitted by: